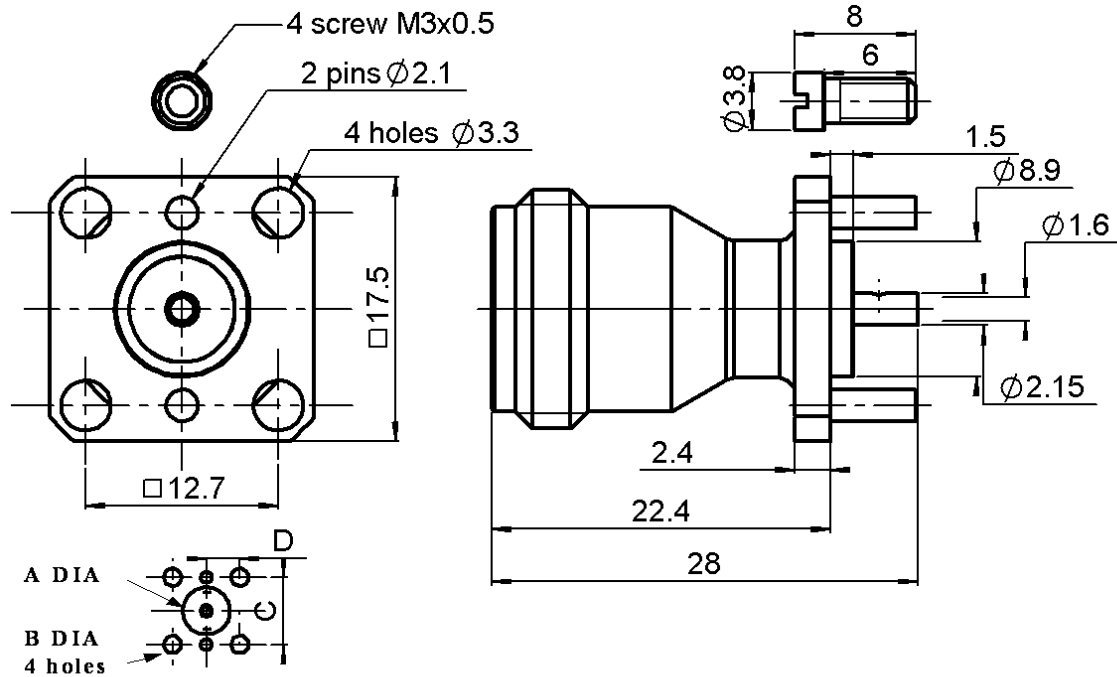


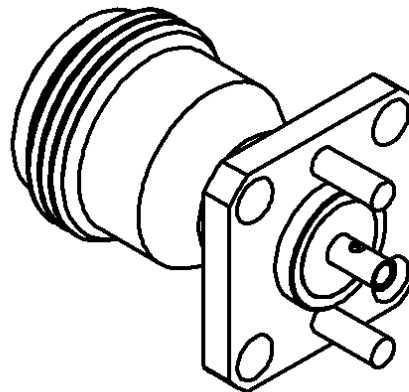
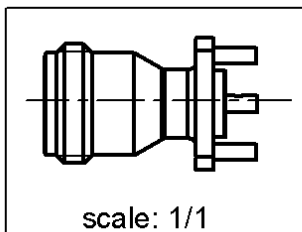
**3/4 INCH SQUARE FLANGE JACK RECEPTACLE  
WITH SOLDER POT CONTACT - PACK. 50**

**R161.410.537**

Series : N



m m		
	Maxi	mini
A	9.4	9.2
B	M3	M3
C	12.8	12.6
D	2.3	2.2



All dimensions are in mm.



COMPONENTS	MATERIALS	PLATINGS ( $\mu\text{m}$ )
BODY	BRASS	BBR 2
CENTER CONTACT	BERYLLIUM COPPER	SILVER 5 OVER COPPER 0.5
OUTER CONTACT	-	-
INSULATOR	PTFE	-
GASKET	-	-
OTHERS PARTS	BRASS	BBR 2
-	-	-
-	-	-

Issue : 0337 D

In the effort to improve our products, we reserve the right to make changes judged to be necessary.



**3/4 INCH SQUARE FLANGE JACK RECEPTACLE  
WITH SOLDER POT CONTACT - PACK. 50**

**R161.410.537**

Series : N

**PACKAGING**

**SPECIFICATION**

Standard	Unit	Other
<b>50</b>	<b>'W' option</b>	<b>Contact us</b>

**ELECTRICAL CHARACTERISTICS**

**ENVIRONMENTAL**

Impedance		<b>50</b> Ω
Frequency		<b>0-11</b> GHz
VSWR	<b>1.04</b> +	<b>0.004</b> x F(GHz) Maxi
Insertion loss		<b>.015*</b> √F(GHz) dB Maxi
RF leakage	- (	<b>101</b> - F(GHz)) dB Maxi
Voltage rating		<b>850</b> Veff Maxi
Dielectric withstanding voltage		<b>2500</b> Veff mini
Insulation resistance		<b>5000</b> MΩ mini

Operating temperature	<b>-55/+155</b> ° C
Hermetic seal	<b>NA</b> Atm.cm3/s
Panel leakage	<b>NA</b>

**OTHERS CHARACTERISTICS**

Assembly instruction

Others :

\* Coaxial Transmission Line Only

**MECHANICAL CHARACTERISTICS**

Center contact retention		
Axial force – Mating end		<b>27</b> N mini
Axial force – Opposite end		<b>27</b> N mini
Torque		<b>NA</b> N.cm mini
Recommended torque		
Mating		<b>NA</b> N.cm
Panel nut		<b>NA</b> N.cm
Mating life		<b>500</b> Cycles mini
Weight		<b>22.100</b> g

Issue : 0337 D

In the effort to improve our products, we reserve the right to make changes judged to be necessary.

